

G3320 Cabinet Lock

Features

- For drawer and cabinet door application
- Key is not removable in unlocked position
- 156 key changes available
- Keys can be shared with other **3310 Lock Series**

Parts Included

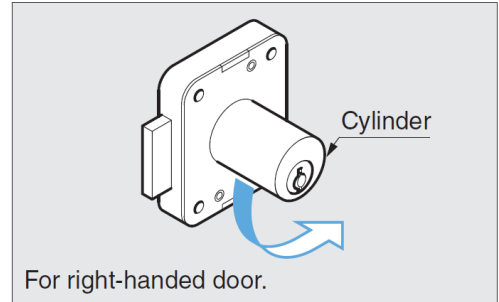
- Countersunk head wood screw 3.1×20, 2.1×10 (SUS)

Optional Parts

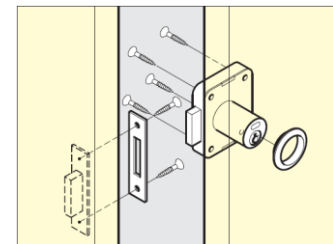
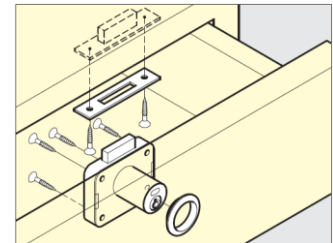
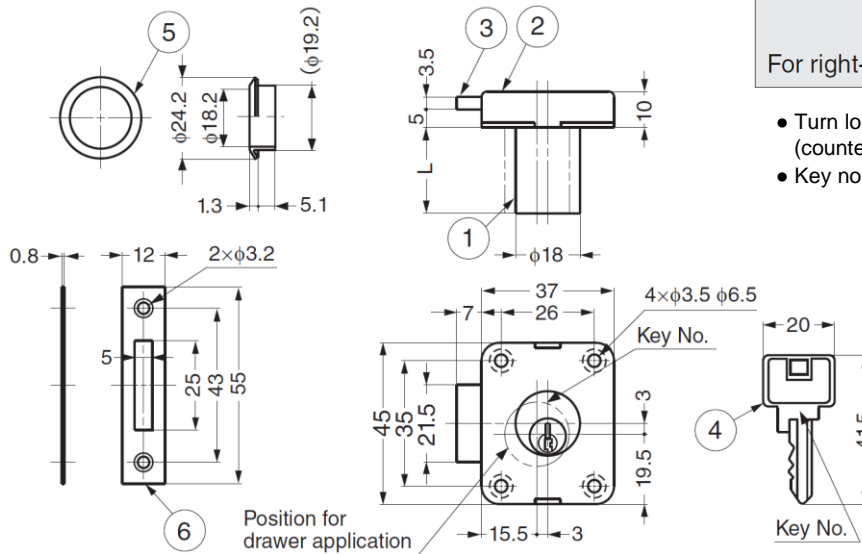
- Spacer **GTSSP**



How to Switch: For Drawer / Right Handed Door Application



- Turn lock cylinder 90° (counter clockwise for drawer)
- Key no. is to be forwarded upside



No.	Part Name	Material	Finish
①	Cylinder	Brass	Satin Nickel
②	Body	Brass	Nickel
③	Dead Bolt	Brass	Nickel
④	Key	Brass	Nickel
⑤	Ring	Brass	Satin Nickel
⑥	Strike	Stainless Steel (SUS304)	-

Part No.	Key Type	Cylinder Diameter	Door Thickness	L
G3320-24-B	Keyed Differently	Ø 18	24	24
G3320-24-D	Keyed Alike			
G3320-30-B	Keyed Differently		30	30
G3320-30-D	Keyed Alike			